

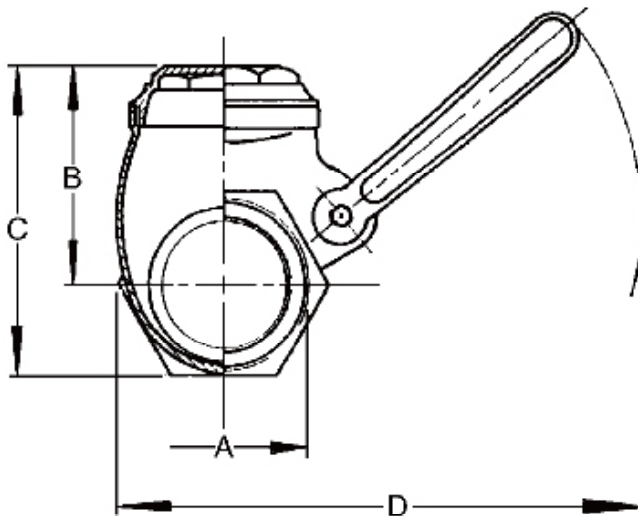
Lever Valves

Tank Truck Service & Sales, Inc Warren, Michigan
800-482-2678 www.tanktruckservice.com

Features: Bronze construction; double gate.

Advantages: Improved sealing ability and a double wedge gate design, so that the gate can fit perfectly in the tapered seat

PART NUMBER	A	B	C	D
362-301-2	2	3.2	4.5	9.8
362-301-3	3	4.7	6.7	13.4
362-301-4	4	5.8	8.4	16.3
362-301-6	6	9	12.5	18.3



LEVER VALVES

DESCRIPTION	PART NUMBER
2" Lever Valve - NPT Thread	362-301-2
3" Lever Valve - NPT Thread	362-301-3
4" Lever Valve - NPT Thread	362-301-4
6" Lever Valve - NPT Thread	362-301-6

LEVER VALVE ASSEMBLIES

DESCRIPTION	PART NUMBER
3" Lever Valve Assembly	362-301-3A
4" Lever Valve Assembly	362-301-4A
6" Lever Valve Assembly	362-301-6A

LEVER VALVE REPLACEMENT PARTS

DESCRIPTION	PART NUMBER
2" Lever Valve Handle	362-301-21
3", 4" and 6" Lever Valve Handle	362-301-41
3" Lever Valve Stem	362-301-33
4" Lever Valve Stem	362-301-43
6" Lever Valve Stem	362-301-63
3" Lever Valve Packing	362-301-32
4", 6" Lever Valve Packing	362-301-42